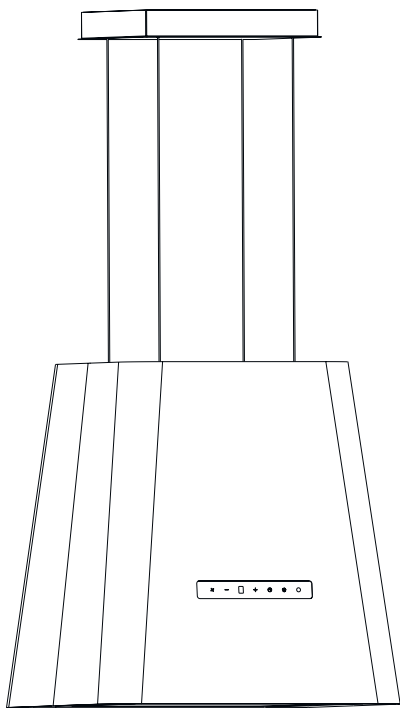


HOOD USER GUIDE

ENGLISH



SILVERLINE

H70250 079
H70250 086
H70250 201

Read this manual prior to performing any task!

MANUFACTURER

Merzifon OSB AMASYA, Silverline

IMPORTER**SCD Luisina**

La boisinière 35530 Servon sur Vilaine FRANCE

Telephone: +33(0)299002424

Fax: +33(0)299002422

Internet: www.luisina.com

1, en_US

Table of contents

1	INPUT	4
2	Technical Drawing	5
3	WARNING AND SAFETY PRECAUTIONS	6
	3.1 LETHAL RISK, DANGER OF POISONING.....	8
4	USAGE WITH AND WITHOUT CARBON FILTER	12
5	Cleaning of Activated Carbon Filter Pad	13
6	CLEANING AND PREVENTIVE MAINTENANCE	14
	6.1 Cleaning the scale filter.....	15
7	APPLIANCE POSITION	16
	7.1 Installation and Unpacking of the Appliance.....	16
	7.2 Recommendations for Energy Saving.....	16
8	CONTENT OF PACKAGE	18
9	OVERVIEW OF hood	19
10	ASSEMBLY OF PRODUCT	20
	10.1 Installation Diagram and Components.....	20
11	USE OF PRODUCT	22
	11.1 How to use 5 Spd Dig Touch Control Product.....	22
12	REMOTE CONTROL	23
13	Changing the appliance lamp	24
14	TECHNICAL TABLE	25

1 INPUT

This guideline and the safety data includes all necessary information for a safe mounting as well as a safe use without defects.

- Please read all of this guideline and safety data before using the device.
- Keep the guideline in an appropriate place.
- If you pass the device onto others, make sure you also give this guideline and safety data.
- Disregarding this guideline may result in severe injuries and defects in the device.
- Please keep in mind that we won't be responsible for the defects arising from not taking this guideline into account.

The figures in this guideline aim to visually describe the actions. In these figures only one model of the device is illustrated. However, all instructions or figures also represent other models.

2 Technical Drawing

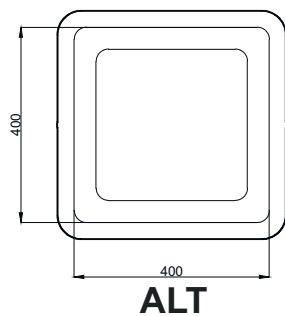
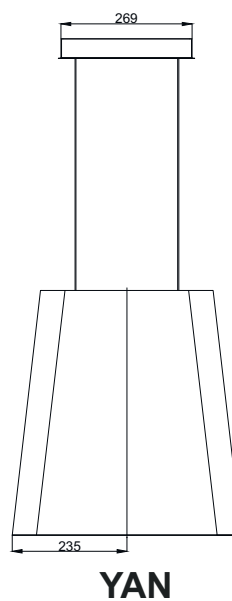
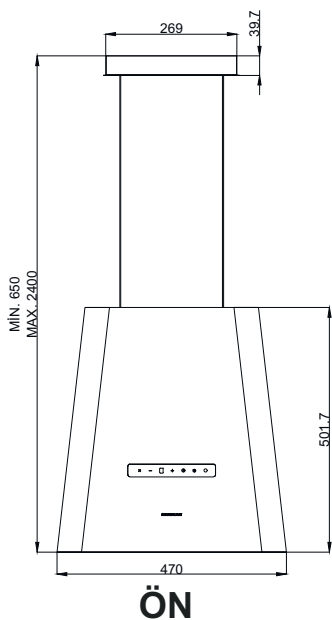
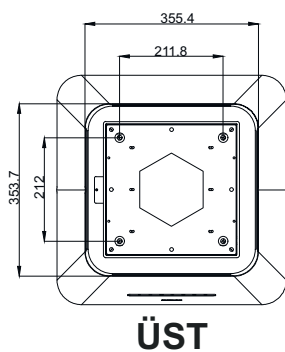


Fig. 1

3 WARNING AND SAFETY PRECAUTIONS

WARNING AND SAFETY PRECAUTIONS

- This appliance can be used by children of 8 years and older, people with physical, sensory or mental capability deficiency or people with lack of experience or knowledge; as long as they are provided supervision or instructions for the safe use of the appliance and they comprehend the dangers.
- Children should not tamper with the appliance. Cleaning and user maintenance operations must not be performed by children unless supervised.
- This product is designed for home use.
- Usage voltage of your product is 220-240 Volt~50-60 Hz.
- Power cord of your product is fitted with a grounded plug. This cord must be plugged into a grounded outlet.
- The whole electrical wiring must be installed by a qualified electrician.
- Installation by unauthorized persons could lead to poor operation performance, damage to the product, and accidents.
- Feeder cable of the appliance mustn't be exposed to jamming or crashing during assembly. Feeder cable mustn't be placed near the cooker. In such cases, it might melt down and lead to fire.
- Do not plug in the appliance before the installation.
- Make sure that the installation place allows the user to easily unplug the power cable in case of any danger.
- Do not touch your product's lamps when they work for a long time. The lamps may burn your hand as they will be hot.
- Kitchen hoods are manufactured for household use in normal home cooking. There is a risk of malfunction in other types of use, and the product guarantee will be void.
- Comply with the rules and instructions regarding discharge of outgoing air, stipulated by the relevant authorities. (This warning does not apply to uses without flue.)
- Flammable foods must not be cooked under the appliance.
- Start your product after you place pot, pan etc. on the stoves. Otherwise, high temperature may cause some parts of your products to deform.
- Turn off the cooker's burner before taking the saucepan, pan, etc. off the cooker.
- Do not leave boiling oil on the stove. Pots that contain boiling oil may catch fire by itself.
- Since oils could catch fire when you cook fried foods in particular, be careful about your curtains and tablecloths.
- Ensure timely replacement of the filters. Filters not replaced in a timely manner pose risk of fire due to accumulated grease deposits on them.
- Do not use non-fire-resistant filtering materials instead of the filter.
- Do not operate your product without filter, and do not remove the filters when the product is in operation.
- In case of any fire, de-energize the hood and any other cooking devices. (Plug off the appliance or turn off the main switch.)

- If your product's periodic cleaning is not made in a timely manner, it could pose risk of fire.
- De-energize the appliance before any maintenance operations. (Plug off the appliance or turn off the main switch.)
- When electric cooker hood and devices fed with energies other than electricity operate simultaneously, the negative pressure in the room must not exceed 4 Pa (4 X 10 bar).
- Gas or fuel oil burning appliances, such as room heaters, which share the same environment with your product, must be fully insulated from the exhaust of this product or they must be hermetical.
- When you make a flue connection for your product, use pipes with a diameter of 150mm or 120 mm. The length of the duct connection as well as the number of elbows must be as minimum as possible.
- Children must not play with the appliance.
- For your safety, use "MAX 6 A" fuse in the hood system.
- Since the packing materials could be dangerous, keep them away from children.
- If the feeder cable is damaged, it must be replaced by its manufacturer or its authorized technical service or any other personnel qualified at the same level, in order to avoid any dangerous situation.
- In case of any deflagration, de-energize the cooker hood and cooking appliances, and cover the flame. Never use water to extinguish the fire.
- When cooking appliances are in operation, their accessible parts could be hot.
- This appliance is not intended to be used by people with physical, sensory and mental disabilities (including children) or those who have not adequate experience and knowledge regarding its use, unless they are under the supervision of a person responsible for the safety of the appliance.
- After the installation of the hood, the minimum distance must be 65 cm between the product and any electric cooker; and 75 cm between it and any gas ranges or cookers burning other fuels.
- Output of the hood must not be connected to air ducts, where there exist another smokes.
- You must be careful when using the appliance spontaneously with other appliances (e.g. gas, diesel fuels, coal, wood, etc. burning heaters, shower heaters), which use the same air in the same environment. Attention must be paid when using them simultaneously. It is because the hood could adversely affect the combustion, by discharging the ambient air.
- This warning does not apply to uses without flue.
- When electric cooker hood is used simultaneously with devices that use gas or other fuels, there must be sufficient ventilation in the room (might not apply to devices that discharges the air back into the room).

3.1 LETHAL RISK, DANGER OF POISONING



DANGER!

Warning - Choking Hazard

The packaging materials are dangerous for children. Never allow children to play with packaging materials.



DANGER!

Warning - Death Hazard

There are life-threatening danger and poisoning danger due to reabsorbed combustion gases. During the air discharge outlet use, unless sufficient air supply is provided, do not use the appliance simultaneously with devices that discharge toxic gases through flue such as ventilated, gas, oil, wood or coal burning heaters, shower heaters, water heaters, etc. Fig. 2

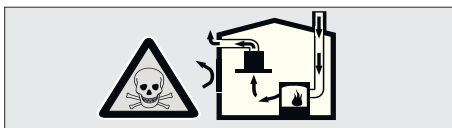


Fig. 2: Poisoning Danger

Ventilated goods (e.g. gas, oil, wood or coal burning heaters, shower heaters, water heaters) take combustion air from the installation location, and discharge the waste gas through a waste gas system (e.g. flue). When the cooker hood is active, it absorbs air from the kitchen and neighbouring rooms. If adequate air entry is not provided, vacuum emerges. In such a case, the toxic gases are absorbed from the flue and waste gas channel, and are taken into to door again. Fig. 2

- Therefore, adequate fresh air ingress must always be ensured. Fig. 3

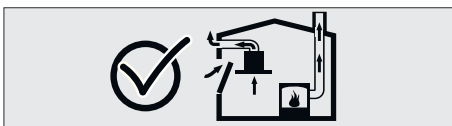


Fig. 3

**WARNING!****Fire danger!**

- The oil residue in the oil filter may catch fire. **Clean the oil filter at least once every 3 months.** Never operate the device without the oil filter.
- The oil residue in the oil filter may catch fire. Never work with open flame (ex. flambe) near the device. The apparatus is allowed to be installed near a solid fuel (e.g. wood or coal) heater only if it has a non-removable cover. No sparks should be scattered.
- Hot oils and fats catch fire easily. Hot oils and fats should never be left unattended. Never try to put out the fire with water. Turn off the cooker. Kill the flames carefully using a cover, fire blanket or a similar material.
- Gas operated cookers that do not have a cooking pot on create high heat during operation. A ventilation device placed over the cookers can be damaged or burned for this reason. Operate gas cookers only when there is a cooking pot on them.
- Operating multiple gas cookers simultaneously creates high heat. A ventilation device placed over the cookers can be damaged or burned for this reason. Never operate two gas cookers longer than 15 minutes on high flame setting. A large burner over 5kW (Wok) has the power of two gas burners.

**WARNING!****Electrocution hazard!**

- A malfunctioning device may cause electric shock. Never turn on a malfunctioning device. Pull the power plug and switch off the circuit breaker. Call customer service.
- Unsuitable repairs pose hazards. Repairs and replacement of damaged power cords must be performed only by a customer services technician trained by us. If the device is malfunctioning pull the power plug and switch off the circuit breaker. Call customer service.
- Water leaking into the device may cause electric shock. High pressure or steam cleaners must not be used.

**DANGER!****Danger of physical injury!**

- During the installation, there is a danger of physical injury due to the sharp edges. Use protective gloves throughout the installation process of the appliance.
- Due to risk of dropping the appliance, assembly of all safety bolts and covers must be performed as specified in the user manual.
- Objects placed on the appliance may fall over. Do not place any objects on the device.
- LED lights are very bright and may damage eyes (Risk group 1). You must not look directly at running LED lights for longer than 100 seconds.

**WARNING!****Risk of burn, risk of electric shock!**

- Allow the appliance to cool before cleaning or maintenance process. Switch off the fuse or pull out the mains plug from the socket.
- There is risk of damage due to ingress of moisture in the electronics. Do not clean the control components with a wet cloth.
- The surface could be damaged due to a wrong cleaning process. Clean stainless steel surfaces only in their brushing direction. Do not use a stainless steel cleaner for the control elements.
- The surface could be damaged due to aggressive and abrasive cleaning agents. Never use aggressive and abrasive cleaning agents.

**WARNING!****Dangers of fire and physical injury!**

In case of repairing that is not performed according to the rules or as required, turn off the fuse or unplug the feeder cable of your appliance. Repairing must be performed only by the authorized technical service or authorized experts.

**NOTICE!**

If the appliance is faulty or damages, turn off the fuse or unplug the feeder cable of your appliance and call the authorized service.

**NOTICE!**

If the feeder cable is damaged, it must be replaced by its manufacturer or its authorized technical service or any other personnel qualified at the same level, in order to avoid any dangerous situation.

**NOTICE!**

When the bulbs of the device malfunction, switch off the circuit breaker and unplug the device's power plug from the socket. Replace the defective bulbs immediately (leave bulbs to cool down first), in order to protect the remaining bulbs against overloading.

**CAUTION!**

Accessible components might be heated when used with cooking devices.

**DANGER!**

Air outlet pipe of this appliance mustn't be connected in the flue used to discharge the fume generated by devices that use gas or other fuels.

Damage reasons**CAUTION!**

Damage hazard due to corrosion. Always run the appliance to prevent condensate formation while cooking. Condensates may cause corrosion damage. Replace the malfunctioning lamp right away to prevent overloading of other lamps. Moisture intrusion in electronic parts poses a risk of damage. Never clean the control elements with a wet cloth. The surface could be damaged due to a wrong cleaning process. Clean stainless steel surfaces only in their brushing direction. Do not use a stainless steel cleaner for the control elements. The surface could be damaged due to aggressive and abrasive cleaning agents. Never use aggressive and abrasive cleaning agents. There is a risk of damage due to condensate liquid backflow. Install the air exit canal with a small downward inclination (1° inclination) from the appliance.

4 USAGE WITH AND WITHOUT CARBON FILTER



You can use this appliance in exhaust air mode and ventilated air mode.

Exhaust air mode

The absorbed air is cleaned by the grease filters, and is discharged through a piping system. Fig. 4

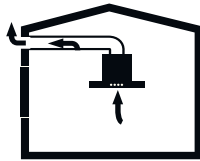


Fig. 4: Air Outlet without Carbon Filter



NOTICE!

Exhaust air must not be transferred to an active smoke or waste gas flue; or a flue used for ventilation of the places, where heat sources are installed.

- If you want to transfer exhaust air to an inactive smoke or waste gas flue, you need to obtain permission from an authorized chimney sweep.
- If exhaust air is discharged through the external wall, a telescopic wall safe must be used.

Ventilated air mode



Absorbed air is cleaned by the grease filters and an active carbon filter, and then it is transferred back to the kitchen. Fig. 5

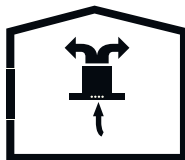


Fig. 5: Air Circulation with Carbon Filter



You need to install an active carbon filter, in order to catch the substances, which cause stink in the circulating air. Consult your authorized dealer to know the different opportunities available for enabling the appliance to function in circulating air mode. You can buy the accessories required for this process from the relevant outlets, authorized technical service or online sales center.

5 Cleaning of Activated Carbon Filter Pad

Placing the active carbon filter

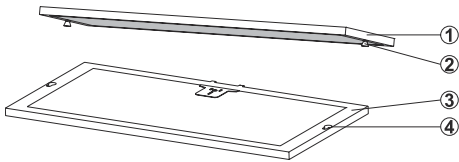


Fig. 6: Placing the active carbon filter

- 1 Active carbon filter
- 2 Fixing pin
- 3 Metal oil filter
- 4 Fixing holes for active carbon filter

Washing n a dishwasher

After cleaning

Placing the active carbon filter

1. ➔ Removing the metal oil filters (↪ “Placing the active carbon filter” on page 13).
2. ➔ Active carbon filter is placed on the rear side of the metal oil filter Push it to the side to remove it.(Fig. 6).
3. ➔ Wash the active carbon filter in the dishwasher.



*Active carbon filter may be washed 3 times.
Then the active carbon filter must be
replaced by a new one.*

4. ➔ Place the active carbon filter in the dishwasher loosely and steeply and without any other dishes.
5. ➔ Start a program with a maximum temperature of 55° C.
6. ➔ Let the active carbon filter to dry in open air for 24 hours or 40 minutes at 80° C.
7. ➔ Place the washed or new active carbon filter on the metal oil filter.

6 CLEANING AND PREVENTIVE MAINTENANCE

**CAUTION!**

Cleaning and user maintenance of the appliance shall not be performed by unattended children.

- The surface could be damaged due to aggressive and abrasive cleaning agents. Never use aggressive and abrasive cleaning agents. Supply your cleaning and protective substances that are appropriate for your appliance from the authorized technical service. Surface of appliance and control units are sensitive to scratching.
- Clean the surfaces with a soft and damp cloth, dish-washing liquid or mild glass cleaning agent. Soften the dry, sticky dirt with a damp cloth. Do not scrape!
- It is not appropriate to use dry cloths, sponges that may scratch, materials that require rubbing, and other aggressive cleaning agents containing sand, soda, acid or chlorine.
- Clean the stainless steel surfaces in their brushing direction only.
- Do not use stainless steel cleaning agents and wet clothes for control units. Cleaning of metal grease filters Used metal grease filters retain the greasy particles in the moisture and vapour generated in the kitchen. Clean the metal grease filters about every three months, under normal use conditions (1 to 2 hours a day).
- Do not use excessively effective, acidic or alkaline cleaning agents.
- For cleaning the metal grease filters, clean the holder parts of the metal grease filters in the appliance, with a damp cloth as well.
- You can clean the metal grease filters in the dishwasher or by hand.
- Do not apply spray cleaning supplies directly to the product.
- Do not keep flammable and/or heavy decorative items on the product.

6.1 Cleaning the scale filter

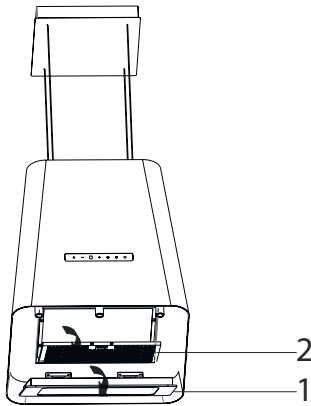


Fig. 7: Removing the metal oil filters

- 1- Metal Cap
- 2- Metal oil filter

Hand-cleaning

Washing in a dishwasher

After cleaning

1. ➤ Open the metal cover of the hood (Fig. 7/1).
2. ➤ Open the lock of the metal oil filter (Fig. 7/2) and ensure that it will not fall.
3. ➤ Tilt the metal oil filter forward and lift it out (Fig. 7/2).



WARNING!

Risk of fire due to oil sediments in metal oil filter!

There is a risk of fire due to oil sediments in metal oil filter.

- Clean the metal oil filter at least every 2 weeks when the oil filter cleaning warning is displayed.
- Never use the hood without a metal oil filter.

4. ➤ Clean the metal oil filter with hand or in the dishwasher.

5. ➤



NOTICE!

Material damage due to wrong detergent!

Soften the metal oil filter in hot water and clean it with a soft brush.

6. ➤ Rinse the metal oil filter in hot water.
7. ➤ Place the metal oil filter in the dishwasher loosely and steeply and without any other dishes.
8. ➤ Start a program with a maximum temperature of 55° C.



Colour changes may occur due to cleaning in the dishwasher. They do not adversely affect the function of the metal oil filter.

9. ➤ Allow the metal oil filter to dry on an absorbent coaster.



If the activated carbon filter is removed, rub it again on the metal oil filter.

7 APPLIANCE POSITION

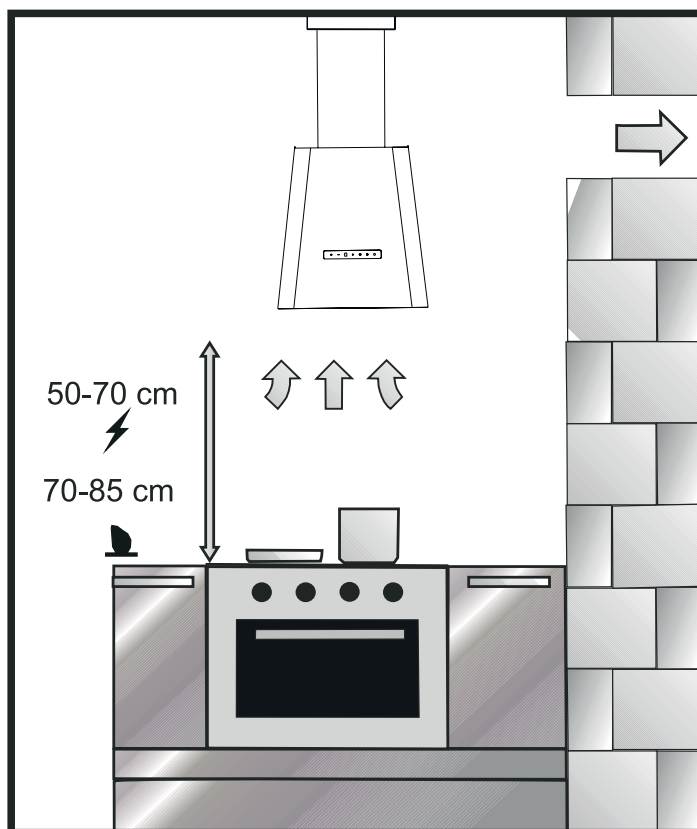


Fig. 8

After completing the installation of hood, the minimum distance must be 70 cm between the product and any electric cooker; and 85 cm between it and any gas ranges or cookers burning other fuels (Fig. 8).

7.1 Installation and Unpacking of the Appliance

- Check that your appliance is not deformed.
- Report the transport issues immediately to transport operator.
- Any faults encountered shall be reported to the dealer, too.
- Do not allow children to play the with packaging materials!

7.2 Recommendations for Energy Saving

- Replace the carbon filters on a regular basis.
- Regularly clean your aluminium filters. Since dirty filters would block the air passage, you might have to use the appliance at a higher speed.

- Use your product according to its normal speeds.
- Use at higher speed would cause an increase in the energy consumption.

8 CONTENT OF PACKAGE

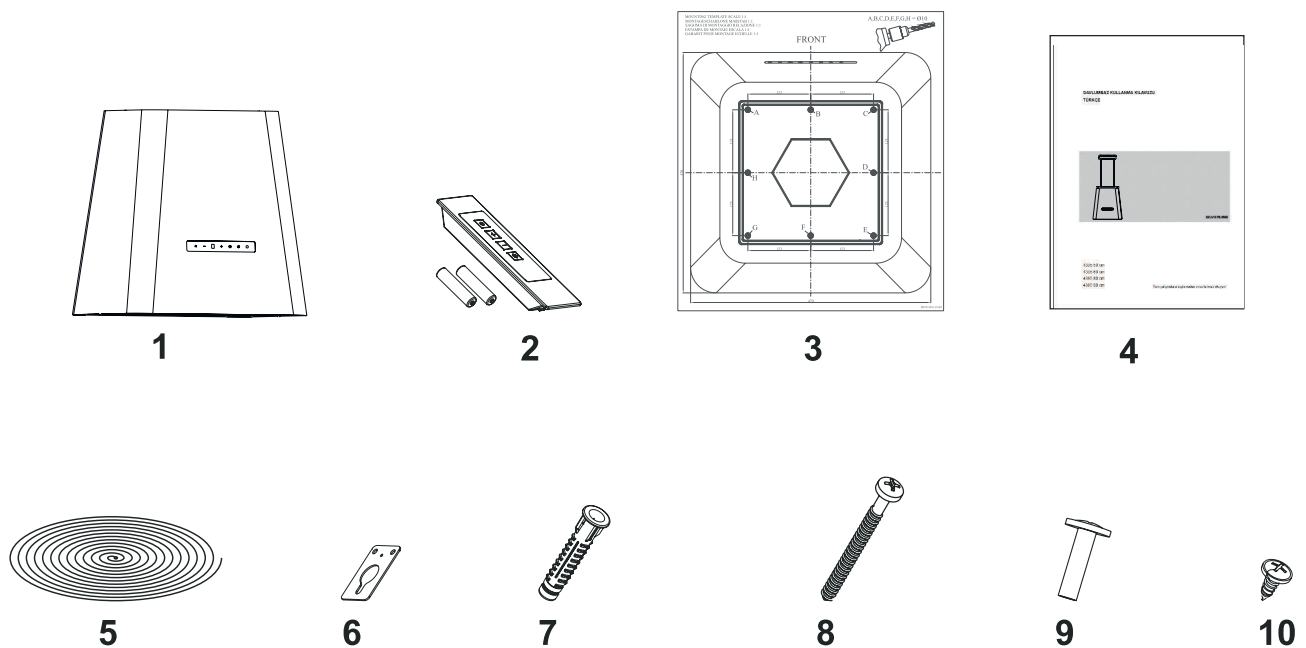


Fig. 9

- | | |
|-------------------------|-------------------------------------|
| 1 Appliance | 6 4x Hanging Plate |
| 2 Remote controller | 7 8 x Ø.10mm Plastic Dowels |
| 3 Installation Template | 8 8x 5.5x60 Wall Mount Screw |
| 4 User manual | 9 4X M5 x 15 Screws |
| 5 4x Steel Suspend Rope | 10 8X 3.5x9.5 Flue Connection Screw |

9 OVERVIEW OF hood

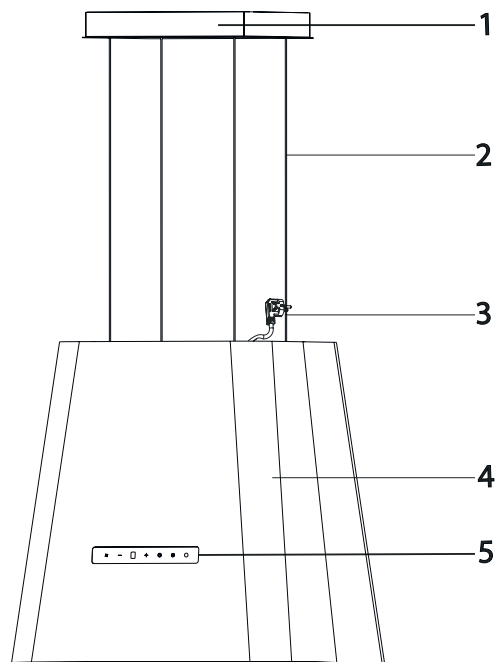


Fig. 10

- 1- Ceiling carrier plate cover
- 2- Hanger wires
- 3- Feeding Cable
- 4- Body
- 5- Control Panel

10 ASSEMBLY OF PRODUCT

10.1 Installation Diagram and Components

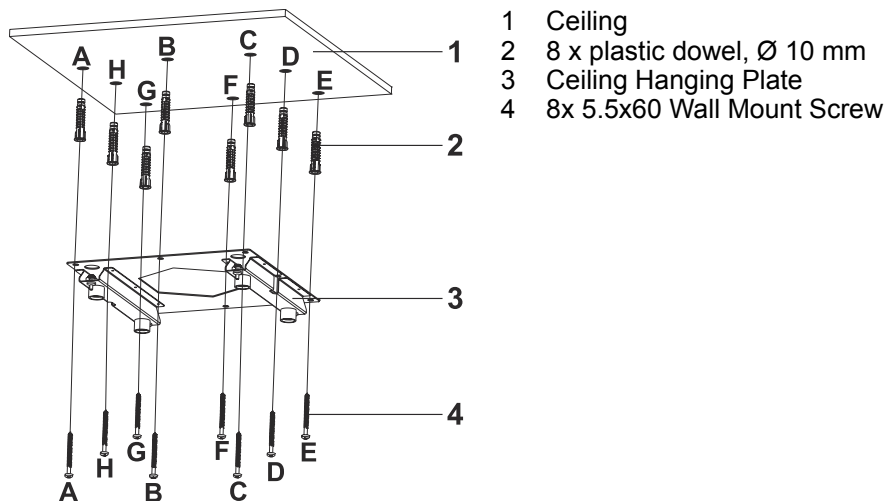


Fig. 11

1. ➤ Drill the surface where product will be installed from the points A, B, C, D with Ø10 mm drill (Fig. 11).
2. ➤ Insert Ø10 mm plastic dowels into the drilled points A,B,C,D,E,F,G,H(Fig. 11).
3. ➤ Install the Ceiling Connection plate to the ceiling at points A,B,C,D,E,F,G,H with 5.5x60 screws (4) (Fig. 11).

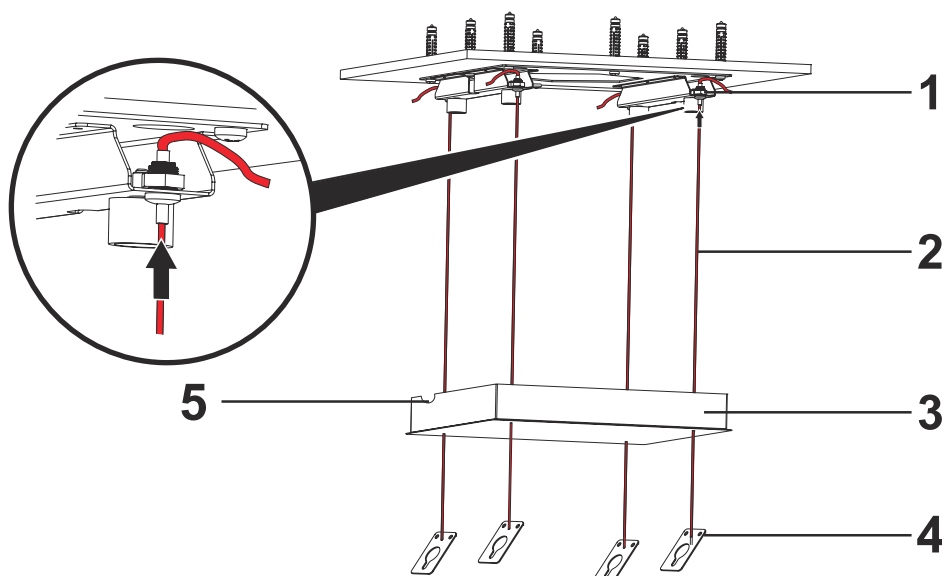


Fig. 12

- | | |
|-------------------------------------|---|
| 1 Ceiling carrier locking mechanism | 3 Ceiling carrier plate cover |
| 2 Product Hanging Plate | 4 Hanging Plate |
| | 5 Ceiling Hanger Plate Feeder Cable Layout Plan |

1. ➔ Let the product hanger wires (2) through hanger plate (3). As this is done, the feeder cable passage area (5) should be on the right side when the appliance is viewed from the front (Fig. 12).
2. ➔ Let the product hanger wires (2) through hanger lock mechanism (1) lock mechanism. Ensure all hanger wires are required length and equal (Fig. 12).

**CAUTION!**

The locking mechanism of the carrier wires will prevent the wires to move away from its position or backwards as long as the stop pins are not pressed forward.

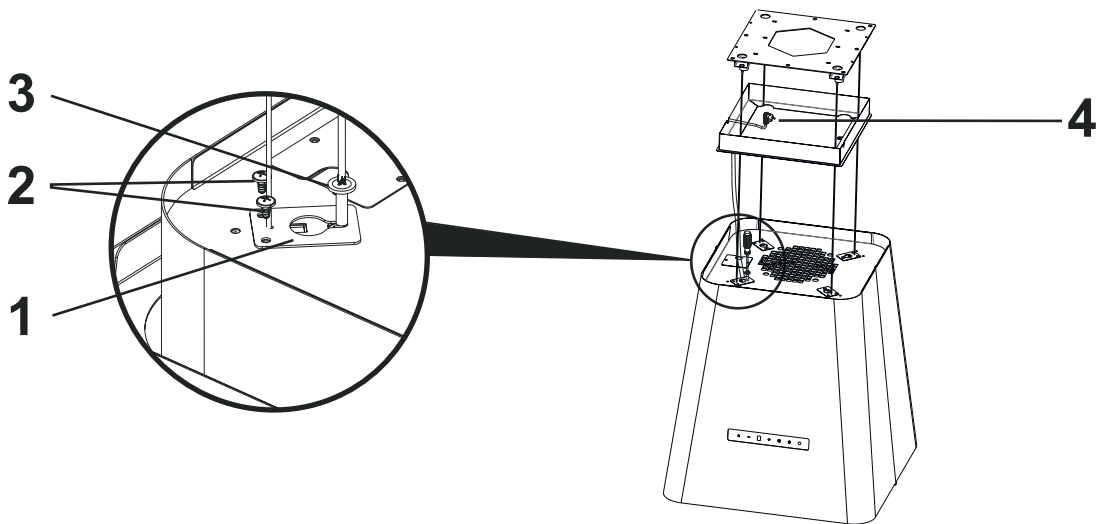


Fig. 13

- 1 Fixing plate
- 2 Securing bolt
- 3 Fixing bolts
- 4 Feeding Cable

1. ➔ Mount 4 ceiling hanger locking mechanism (1) on the body with 3.5 x 9.5 screws (2) and M5 x 15 (3) screws (Fig. 13
2. ➔ Let the feeder cable (4) through the ceiling hanger plate feeder cable through area (Fig. 13/5) and make the electrical connections. Close the ceiling hanger plate cover.

11 USE OF PRODUCT

11.1 How to use 5 Spd Dig Touch Control Product

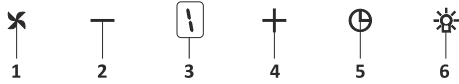


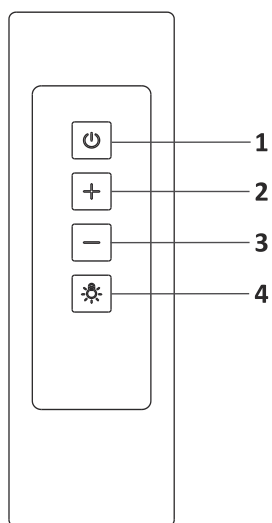
Fig. 14: 5 Spd Dig Button

1. Press this button to turn on the product. Fig. 14
2. Press this button to decrease the motor speed. Fig. 14
3. Dig display You can follow which speed the product is currently working on this display. Fig. 14
4. Press this button to increase the motor speed. Fig. 14
5. When timer button is pressed, a 15-minute timer function will be activated; display will give a signal once the timer starts and the motor will stop automatically after 15 minutes. Fig. 14
6. Press this button to turn on and off the lamp. Fig. 14

Cleaning Periods for Metal Filters

Filters should be cleaned when "C" signal appears on the Display or (due to usage) every 2 or 3 weeks. To delete "C" signal after the filters are cleaned and replaced, press and hold (⏻) button more than 3 secs (when device is off). Letter "E" will appear on the Display and it will switch to normal operation. If operation before deleting the "C" signal is required, active motor speed will appear for 1 sec when you press (⏻) button and then the motor will resume running.

12 REMOTE CONTROL



- 1- Motor On/Off
- 2- Motor Speed Increase
- 3- Motor Speed Decrease
- 4- Lighting On/Off



Remote control is sold together with the product optionally. The product you bought may not have remote control option.

Fig. 15: REMOTE CONTROL

13 Changing the appliance lamp

Contact the dealer or customer service when the lamp of the appliance fails ()

14 TECHNICAL TABLE

Supply Voltage	220 - 240 V 50Hz
Insulation Class of Motor	F
Insulation Class	CLASS I



This product complies with the 2014/30/EC (Regulation on Electromagnetic Compliance) and 2014/35/EC (Regulation on Low Voltage Devices (LVD)) Directives.



This device complies with the Directive on the Control of Waste Electrical and Electronic Equipment.

Specifications of the device and this manual may be modified without prior notification.